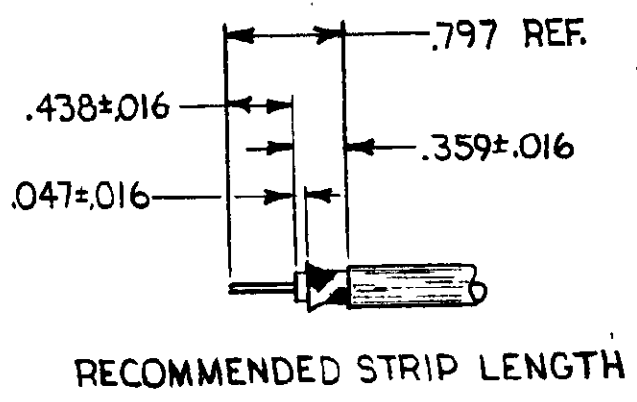
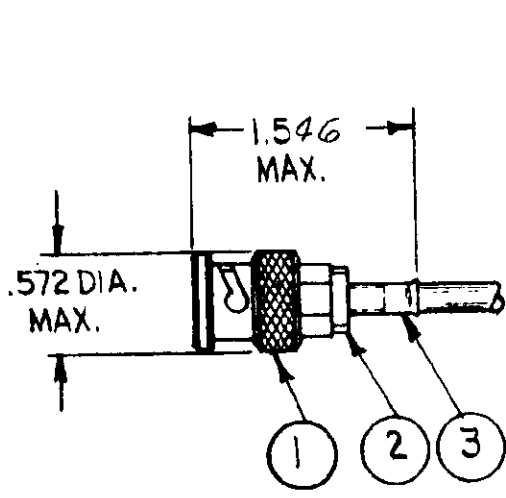


350884

DRAWING MADE IN THIRD ANGLE PROJECTION

LOC **AJ** DIST **16**

REVISIONS					
P	F	LTR	DESCRIPTION	DATE	APPROVED
✓		S	REV. & REDRAWN C82-516	5-3-83	PK. / SH.



RECOMMENDED STRIP LENGTH

1. FOR USE WITH: RG-58/U, 58B/U, & 58C/U CABLE
2. USE CRIMPING TOOL 69376-3 (ALL SIZES), 69376-1 (58C/U ONLY)
3. SEE I.S. 1799-1
4. WEIGHT - .529 OZ.

ITEM	QTY.	DESCRIPTION	PART NO
3	1	FERRULE	330927
2	1	CRIMP END	330932
1	1	PLUG ASSY	330949

UNLESS OTHERWISE SPECIFIED DIMENSIONS ARE IN INCHES. TOLERANCES ON: DECIMALS ± .005 ANGLES ± .1°

MATERIAL: H

FINISH: H

CONTRACT NO

DE: P. Keenan 5/3/83

CHK: J. Smith 7/1/83

APPD: H. Nau 12/9/83

APPD: P. Keenan 12/16/83

DSGN APPD

OTHER APPD

AMP | AMP INCORPORATED
Harrisburg, Pa. 17105

NAME: **CONNECTOR, COAXIAL, R.F., PLUG, SERIES BNC**

SIZE: **A** FSCM NO: **00779** DRAWING NO: **330884**

SCALE: **NTS** SHEET: _____

THIS DRAWING IS UNPUBLISHED. RELEASED FOR PUBLICATION MAY 3, 1983. BY AMP INCORPORATED, HARRISBURG, PA. ALL INTERNATIONAL RIGHTS RESERVED. AMP PRODUCTS MAY BE COVERED BY U.S. AND FOREIGN PATENTS AND/OR PATENTS PENDING. © COPYRIGHT 1963